



DISTRIBUTION TRANSFORMERS

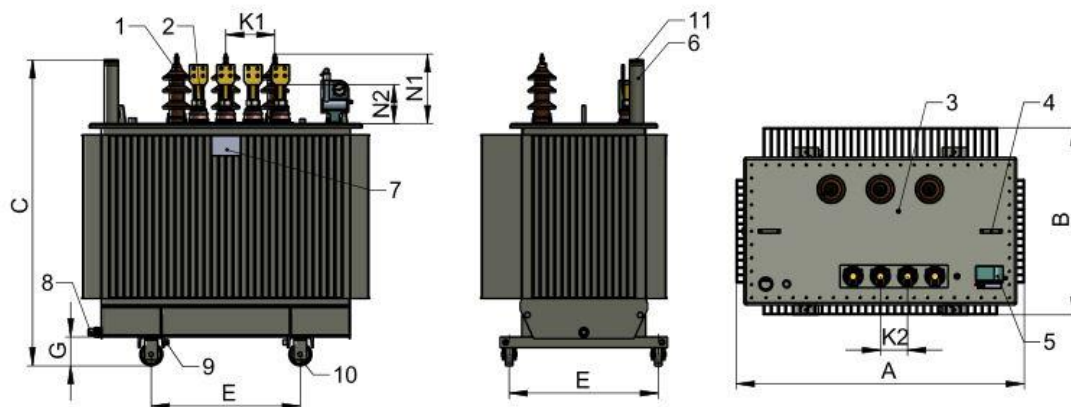
Oil immersed transformers

Hermetic Oil Distribution Transformer: 50 - 1600 [kVA]

Main electrical characteristics

Rated power (kVA)	50	100	160	250	400	630	1000	1600
Type	ECO2_0050	ECO2_0100	ECO2_0160	ECO2_0250	ECO2_0400	ECO2_0630	ECO2_1000	ECO2_1600
Primary Voltage	6/10/11/20/22 [kV]							
Secondary Voltage	0,42/0,4 [kV]							
Vector group	Dyn5							
No-load losses [W]	81	130	189	270	387	540	693	1080
Load Losses at 75°C [W]	750	1250	1750	2350	3250	4600	7600	12000
Impedance voltage	4%						6%	
Altitude maximum	1000 m							
Acoustic Level dB(A):	39	41	44	47	50	52	55	58
Standard	EN50464-1, IEC 60076-1							

Dimensions and weights¹



1. HV bushings, 2. LV bushings, 3. Voltage regulator, 4. Lifting lugs, 5. Integrated protection, 6. Pipe for pouring oil, 7. Rating plate, 8. Oil drain valve, 9. Earthing terminal, 10. Roller, 11. Overpressure valve

Rated power [kVA]			50*	100*	160	250	400	630	1000	1600*
Length	A	mm	-	-	1005	1130	1240	1340	1575	-
Width	B	mm	-	-	755	760	835	845	1030	-
Height to bushing	C	mm	-	-	1515	1640	1675	1770	1720	-
Roller distance	E	mm	-	-	520	520	670	670	820	-
Distance between HV bushings	K1	mm	-	-	270	270	270	270	270	-
Distance between LV bushings	K2	mm	-	-	100	150	150	150	150	-
Height HV bushings	N1	mm	-	-	385	385	385	385	385	-
Height LV bushings	N2	mm	-	-	135	175	175	185	210	-
Roller height	G	mm	-	-	160	160	160	160	160	-
Total weight		kg	-	-	1090	1450	1930	2550	3380	-
Oil weight		kg	-	-	220	250	340	430	535	-
Roller dimensions			ø 125							
HV Bushings Type			Porcelain bushing							
LV Bushings Type			Porcelain bushing							

*Upon request

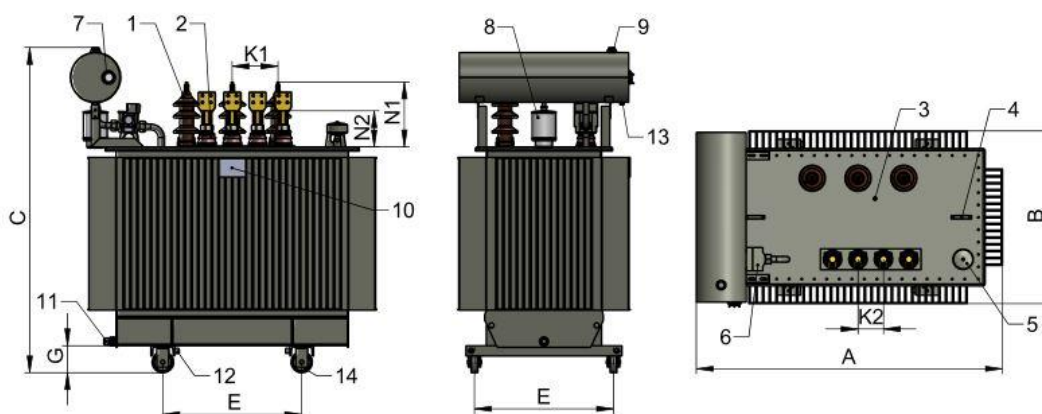
¹ Dimensions and weights are for guidance only and are NON-CONTRACTUAL. Only the definitive drawings following from the order will commit us contractually.

Oil Distribution Transformer with conservator: 50 - 1600 [kVA]

Main electrical characteristics

Rated power (kVA)	50	100	160	250	400	630	1000	1600
Type	ECO2_0050	ECO2_0100	ECO2_0160	ECO2_0250	ECO2_0400	ECO2_0630	ECO2_1000	ECO2_1600
Primary Voltage	6/10/11/20/22 [kV]							
Secondary Voltage	0,42/0,4 [kV]							
Vector group	Dyn5							
No-load losses [W]	81	130	189	270	387	540	693	1080
Load Losses at 75°C [W]	750	1250	1750	2350	3250	4600	7600	12000
Impedance voltage	4%				6%			
Altitude maximum	1000 m							
Acoustic Level dB(A):	39	41	44	47	50	52	55	58
Standard	EN50464-1, IEC 60076-1							

Dimensions and weights²



1. HV bushings, 2. LV bushings, 3. Voltage regulator, 4. Lifting lugs, 5. Integrated protection, 6. Pipe for pouring oil, 7. Inscription plate, 8. Oil drain valve, 9. Earth connection, 10. Roller, 11. Overpressure valve, 12. Voltage selector

Rated power [kVA]			50*	100*	160*	250	400	630	1000	1600*
Length	A	mm	-	-	-	1370	1445	1585	1810	-
Width	B	mm	-	-	-	645	790	795	1025	-
Height to bushing	C	mm	-	-	-	1800	1855	2005	1925	-
Roller distance	E	mm	-	-	-	520	670	670	820	-
Distance between HV bushings	K1	mm	-	-	-	270	270	270	270	-
Distance between LV bushings	K2	mm	-	-	-	150	150	150	150	-
Height HV bushings	N1	mm	-	-	-	385	385	385	385	-
Height LV bushings	N2	mm	-	-	-	175	175	185	210	-
Roller height	G	mm	-	-	-	160	160	160	160	-
Total weight		kg	-	-	-	1395	1890	2570	3450	-
Oil weight		kg	-	-	-	245	320	445	570	-
Roller dimensions			ø 125							
HV Bushings Type			Porcelain bushing							
LV Bushings Type			Porcelain bushing							

*Upon request

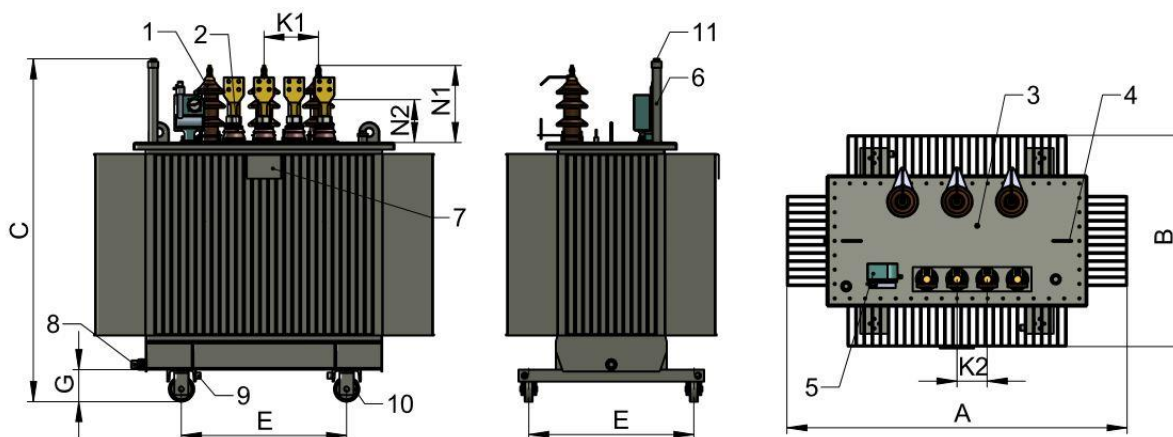
² Dimensions and weights are for guidance only and are NON-CONTRACTUAL. Only the definitive drawings following from the order will commit us contractually.

Hermetic Oil Distribution Transformer: 100 - 1000 [kVA]

Main electrical characteristics

Rated power (kVA)	100	160	250	400	630	1000	1250	1600
Type	ETR1_0100	ETR1_0160	ETR2_0250	ETR2_0400	ETR2_0630	ETR2_1000	ETR2_1250	ETR2_1600
Primary Voltage	6/10/11/20/22 [kV]							
Secondary Voltage	0,42/0,4 [kV]							
Vector group	Dyn5							
No-load losses [W]	1100±15%	1100±15%	300±15%	610±15%	860±15%	1100±15%	1350±15%	1700±15%
Load Losses at 75°C [W]	9000±15%	9000±15%	3250±15%	3850±15%	5400±15%	9000±15%	11000±15%	14000±15%
Impedance voltage	4%				6%			
Altitude maximum	1000 m							
Standard	EN50464-1, IEC 60076-1							

Dimensions and weights³



1. HV bushings, 2. LV bushings, 3. Voltage regulator, 4. Lifting lugs, 5. Integrated protection, 6. Pipe for pouring oil, 7. Inscription plate, 8. Oil drain valve, 9. Earth connection, 10. Roller, 11. Overpressure valve, 12. Voltage selector

Rated power [kVA]			100*	160*	250	400	630	1000	1250*	1600*
Length	A	mm	-	-	1205	1305	1430	1690	-	-
Width	B	mm	-	-	780	845	900	1050	-	-
Height to bushing	C	mm	-	-	1450	1475	1600	1700	-	-
Roller distance	E	mm	-	-	570	670	670	820	-	-
Distance between HV bushings	K1	mm	-	-	270	270	270	270	-	-
Distance between LV bushings	K2	mm	-	-	150	150	150	150	-	-
Height HV bushings	N1	mm	-	-	385	385	385	385	-	-
Height LV bushings	N2	mm	-	-	210	210	210	210	-	-
Roller height	G	mm	-	-	160	160	160	160	-	-
Total weight		kg	-	-	1010	1360	2000	2600	-	-
Oil weight		kg	-	-	225	270	475	505	-	-
Roller dimensions			ø 125							
HV Bushings Type			Porcelain bushing							
LV Bushings Type			Porcelain bushing							

*Upon request

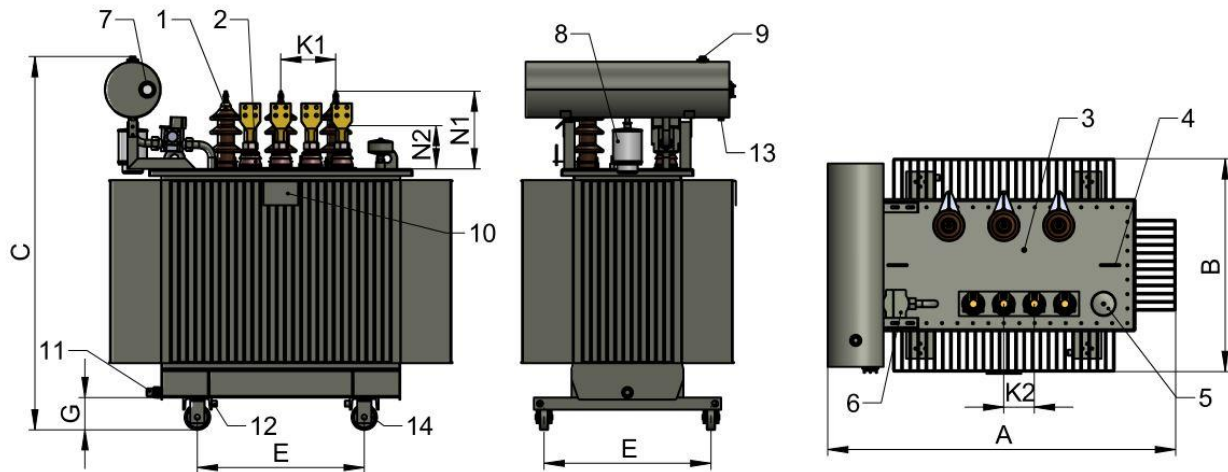
³ Dimensions and weights are for guidance only and are NON-CONTRACTUAL. Only the definitive drawings following from the order will commit us contractually.

Oil Distribution Transformer with conservator: 100 - 1000 [kVA]

Main electrical characteristics

Rated power (kVA)	100	160	250	400	630	1000	1250	1600
Type	ETR1_0100	ETR1_0160	ETR2_0250	ETR2_0400	ETR2_0630	ETR2_1000	ETR2_1250	ETR2_1600
Primary Voltage	6/10/11/20/22 [kV]							
Secondary Voltage	0,42/0,4 [kV]							
Vector group	Dyn5							
No-load losses [W]	1100±15%	1100±15%	300±15%	610±15%	860±15%	1100±15%	1350±15%	1700±15%
Load Losses at 75°C [W]	9000±15%	9000±15%	3250±15%	3850±15%	5400±15%	9000±15%	11000±15%	14000±15%
Impedance voltage	4%				6%			
Altitude maximum	1000 m							
Standard	EN50464-1, IEC 60076-1							

Dimensions and weights⁴



1. HV bushings, 2. LV bushings, 3. Voltage regulator, 4. Lifting lugs, 5. Contact thermometer, 6. Buchholz relay, 7. Level indicator, 8. Dehydrator, 9. Pipe for pouring oil, 10. Inscription plate, 11. Oil drain valve, 12. Ground connection, 13. Oil drain plug, 14. Roller

Rated power [kVA]			100	160	250	400	630	1000	1250*	1600*
Length	A	mm	1040	1090	1380	1465	1520	1710	-	-
Width	B	mm	710	700	795	855	905	1055	-	-
Height to bushing	C	mm	1285	1355	1545	1575	1695	1835	-	-
Roller distance	E	mm	520	520	670	670	670	820	-	-
Distance between HV bushings	K1	mm	270	270	270	270	270	270	-	-
Distance between LV bushings	K2	mm	100	100	150	150	150	150	-	-
Height HV bushings	N1	mm	385	385	385	385	385	385	-	-
Height LV bushings	N2	mm	115	115	210	210	210	210	-	-
Roller height	G	mm	160	160	160	160	160	160	-	-
Total weight		kg	660	890	1105	1410	2025	2635	-	-
Oil weight		kg	140	190	230	310	480	520	-	-
Roller dimensions			ø 125							
HV Bushings Type			Porcelain bushing							
LV Bushings Type			Porcelain bushing							

*Upon request

⁴ Dimensions and weights are for guidance only and are NON-CONTRACTUAL. Only the definitive drawings following from the order will commit us contractually.

Energomont D.o.o.
Segedinski put 89
24415 Bački Vinogradi
+381 24 757 093
+381 24 757 013
office@energomont.rs
www.energomont.rs